

CFast 3SE4

Customer: _____
Customer
Part
Number: _____
Innodisk
Part
Number: _____
Innodisk
Model Name: _____
Date: _____

Innodisk Approver	Customer Approver

**Total Solution For
Industrial Flash Storage**

Table of contents

1. PRODUCT OVERVIEW	7
1.1 INTRODUCTION OF INNODISK CFAST 3SE4.....	7
1.2 PRODUCT VIEW AND MODELS	7
1.3 SATA INTERFACE	7
1.4 CFAST 2.0 FORM FACTOR.....	7
2. PRODUCT SPECIFICATIONS.....	8
2.1 CAPACITY AND DEVICE PARAMETERS.....	8
2.2 PERFORMANCE	8
2.3 ELECTRICAL SPECIFICATIONS	8
2.3.1 Power Requirement	8
2.3.2 Power Consumption.....	8
2.4 ENVIRONMENTAL SPECIFICATIONS	9
2.4.1 Temperature Ranges	9
2.4.2 Humidity.....	9
2.4.3 Shock and Vibration.....	9
2.4.4 Mean Time between Failures (MTBF).....	9
2.5 CE AND FCC COMPATIBILITY	9
2.6 RoHS COMPLIANCE	10
2.7 RELIABILITY.....	10
2.8 TRANSFER MODE	10
2.9 PIN ASSIGNMENT	11
2.10 MECHANICAL DIMENSIONS	12
2.11 ASSEMBLY WEIGHT	12
2.12 SEEK TIME	12
2.13 HOT PLUG.....	12
2.14 NAND FLASH MEMORY	12
3. THEORY OF OPERATION	13
3.1 OVERVIEW	13
3.2 SATA III CONTROLLER	13
3.3 ERROR DETECTION AND CORRECTION.....	13
3.4 WEAR-LEVELING	13
3.5 BAD BLOCKS MANAGEMENT.....	14
3.6 POWER CYCLING	14
3.7 GARBAGE COLLECTION.....	14
4. INSTALLATION REQUIREMENTS	15
4.1 CFAST 3SE4 PIN DIRECTIONS	15
4.2 ELECTRICAL CONNECTIONS FOR CFAST 3SE4	15

4.3 WRITE PROTECTION (OPTIONAL)	15
4.4 DEVICE DRIVE	15
5. SMART FEATURE SET	16
5.1 SMART ATTRIBUTES	16
6. PART NUMBER RULE	17
7. APPENDIX	18

REVISION HISTORY

Revision	Description	Date
Preliminary 1.0	First Released	Oct. 2017
1.0	Official Released; modify power consumption	Dec. 2017
1.1	Revised Part Number Rule	Jul. 2018
1.2	Update RoHS and REACH	Mar. 2019

List of Tables

TABLE 1: DEVICE PARAMETERS	8
TABLE 2: PERFORMANCE	8
TABLE 4: INNODISK CFAST 3SE4 POWER REQUIREMENT	8
TABLE 5: POWER CONSUMPTION	8
TABLE 6: TEMPERATURE RANGE FOR CFAST 3SE4	9
TABLE 7: SHOCK/VIBRATION TESTING FOR CFAST 3SE4	9
TABLE 8: CFAST 3SE4 MTBF	9
TABLE 9: CFAST 3SE4 TBW	10
TABLE 10: INNODISK CFAST 3SE4 PIN ASSIGNMENT	11
TABLE 11: SMART COMMAND	16
TABLE 12: SMART ATTRIBUTE	16

List of Figures

FIGURE 1: INNODISK CFAST 3SE4	7
FIGURE 2: INNODISK CFAST 3SE4 BLOCK DIAGRAM	13
FIGURE 3: SIGNAL SEGMENT AND POWER SEGMENT	15

1. Product Overview

1.1 Introduction of Innodisk CFast 3SE4

Innodisk CFast 3SE4 is characterized by L³ architecture with the latest SATA III (6.0GHz) Marvell NAND controller. Innodisk's exclusive L³ architecture is L² architecture multiplied LDPC (Low Density Parity Check). L² (Long Life) architecture is a 4K mapping algorithm that reduces WAF and features a real-time wear leveling algorithm to provide high performance and prolong lifespan with exceptional reliability. Without additional driver, CFast 3SE4, featured as small form factor, can be configured as a boot device or data storage and is suitable for most industrial application. Supported with hardware write protection, CFast 3SE4 can prevent valuable data on a device from modification and deletion.

Innodisk CFast 3SE4 is designed for industrial field, and supports several standard features, including TRIM, NCQ, and S.M.A.R.T. In addition, Innodisk's exclusive industrial-oriented firmware provides a flexible customization service, making it perfect for a variety of industrial applications.

1.2 Product View and Models

Innodisk CFast 3SE4 is available in the following capacities within SLC flash ICs.

[CFast 3SE4 08GB](#)

[CFast 3SE4 16GB](#)

[CFast 3SE4 32GB](#)

[CFast 3SE4 64GB](#)



Figure 1: Innodisk CFast 3SE4

1.3 SATA Interface

Innodisk CFast 3SE4 supports supports SATA III interface, and compliant with SATA I and SATA II.

1.4 CFast 2.0 Form Factor

CFast 3SE4 compliant with CFast 2.0 standard, it is designed with 7+17 pin connector and is SATA compatible. CFast 2.0 leverage the same connector interface as CFast 1.1 and the SATA-3 interface for higher performance. CFast 3SE4 mechanical dimensions: 42.8mm x 36.4mm x 3.6mm.

2. Product Specifications

2.1 Capacity and Device Parameters

CFast 3SE4 device parameters are shown in Table 1.

Table 1: Device parameters

Capacity	LBA	Cylinders	Heads	Sectors	User Capacity
8GB	15649200	15525	16	63	7641MB
16GB	31277232	16383	16	63	15272MB
32GB	62533296	16383	16	63	30533MB
64GB	125045424	16383	16	63	61057MB

2.2 Performance

Burst Transfer Rate: 6.0Gbps

Table 2: Performance

Capacity	8GB	16GB	32GB	64GB
Sequential* Read (max.)	375 MB/s	520 MB/s	520 MB/s	520 MB/s
Sequential* Write (max.)	75MB/s	150 MB/s	280 MB/s	360 MB/s
4KB Random** Read(QD32)	23,000 IOPS	24,000 IOPS	32,000 IOPS	32,000 IOPS
4KB Random** Write(QD32)	13,000 IOPS	26,000 IOPS	29,000 IOPS	29,000 IOPS

Note: Performance test is based on CrystalDiskMark 5.1.2 with file size 1000MB and Queue Depth 32

2.3 Electrical Specifications

2.3.1 Power Requirement

Table 3: Innodisk CFast 3SE4 Power Requirement

Item	Symbol	Rating	Unit
Input voltage	V _{IN}	+3.3 DC +- 5%	V

2.3.2 Power Consumption

Table 4: Power Consumption

Mode	Power Consumption (mA)
Read	350 (max.)
Write	480 (max.)
Idle	450 (max.)

2.4 Environmental Specifications

2.4.1 Temperature Ranges

Table 5: Temperature range for CFast 3SE4

Temperature	Range
Operating	Standard Grade: 0°C to +70°C
	Industrial Grade: -40°C to +85°C
Storage	-55°C to +95°C

2.4.2 Humidity

Relative Humidity: 10-95%, non-condensing

2.4.3 Shock and Vibration

Table 6: Shock/Vibration Testing for CFast 3SE4

Reliability	Test Conditions	Reference Standards
Vibration	7 Hz to 2K Hz, 20G, 3 axes	IEC 68-2-6
Mechanical Shock	Duration: 0.5ms, 1500 G, 3 axes	IEC 68-2-27

2.4.4 Mean Time between Failures (MTBF)

Table 7 summarizes the MTBF prediction results for various CFast 3SE4 configurations. The analysis was performed using a RAM Commander™ failure rate prediction.

- **Failure Rate:** The total number of failures within an item population, divided by the total number of life units expended by that population, during a particular measurement interval under stated condition.
- **Mean Time between Failures (MTBF):** A basic measure of reliability for repairable items: The mean number of life units during which all parts of the item perform within their specified limits, during a particular measurement interval under stated conditions.

Table 7: CFast 3SE4 MTBF

Product	Condition	MTBF (Hours)
Innodisk CFast 3SE4	Telcordia SR-332 GB, 25°C	>3,000,000

2.5 CE and FCC Compatibility

CFast 3SE4 conforms to CE and FCC requirements.

2.6 RoHS Compliance

CFast 3SE4 is fully compliant with RoHS directive.

2.7 Reliability

Table 8: CFast 3SE4 TBW

Parameter		Value
Read Cycles		Unlimited Read Cycles
Flash endurance		60,000 P/E cycles
Wear-Leveling Algorithm		Support
Bad Blocks Management		Support
Error Correct Code		Support
TBW* (Total Bytes Written) Unit: TB		
Capacity	Sequential workload	Client workload
08GB	468.75	312.5
16GB	937.5	625
32GB	1875	1250
64GB	3750	2500
* Note: <ol style="list-style-type: none"> 1. Sequential: Mainly sequential write, tested by Vdbench. 2. Client: Follow JESD218 Test method and JESD219A Workload, tested by ULINK. (The capacity lower than 64GB client workload is not specified in JEDEC219A, the values are estimated.) 3. Based on out-of-box performance. 		

2.8 Transfer Mode

CFast 3SE4 support following transfer mode:

Serial ATA III 6.0Gbps

Serial ATA II 3.0Gbps

Serial ATA I 1.5Gbps

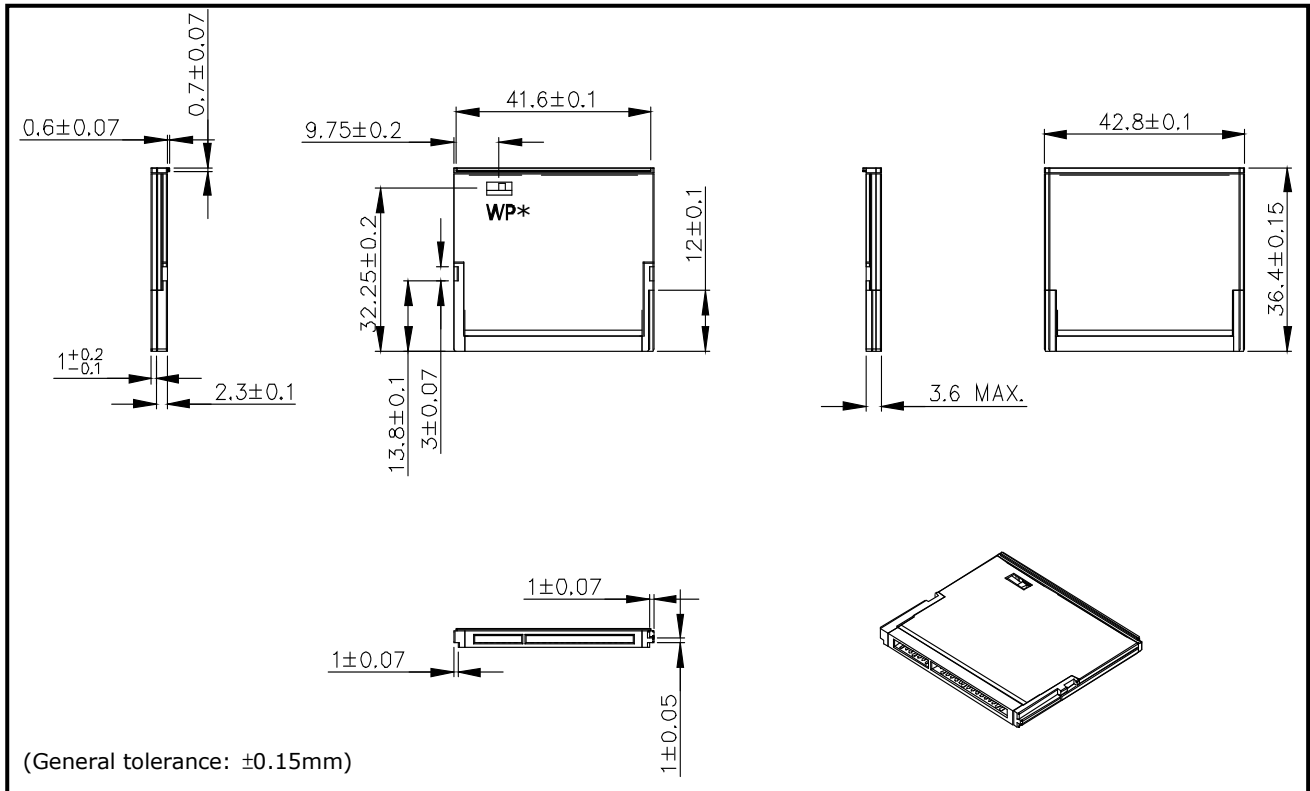
2.9 Pin Assignment

Innodisk CFast 3SE4 uses a standard SATA pin-out. See Table 9 for CFast 3SE4 pin assignment.

Table 9: Innodisk CFast 3SE4 Pin Assignment

Name	Type	Description
S1	SGND	Ground for signal integrity
S2	A+	Differential Signal Pair A
S3	A-	
S4	SGND	Ground for signal integrity
S5	B-	Differential Signal Pair B
S6	B+	
S7	SGND	Ground for signal integrity
Key and Spacing separate signal and power segments		
P1	CDI	Card Detect In
P2	PGND	Device Ground
P3	DEVSLP	Device sleep
P4	TBD	Reserved
P5	TBD	Reserved
P6	TBD	Reserved
P7	PGND	Device Ground
P8	TBD	Reserved
P9	LED2	HDDA LED (LED are lighted when P9 low active)
P10	TBD	Reserved
P11	TBD	Reserved
P12	IFDet	GND
P13	PWR	Device Power (3.3V)
P14	PWR	Device Power (3.3V)
P15	PGND	Device Ground
P16	PGND	Device Ground
P17	CDO	Card Detect Out

2.10 Mechanical Dimensions



*Write Protect is optional.

2.11 Assembly Weight

An Innodisk CFast 3SE4 within SLC flash ICs, 64GB's weight is 10 grams approx. The total weight of card will be less than 15 grams.

2.12 Seek Time

Innodisk CFast 3SE4 is not a magnetic rotating design. There is no seek or rotational latency required.

2.13 Hot Plug

The card support hot plug function and can be removed or plugged-in during operation. User has to avoid hot plugging the card which is configured as boot device and installed operation system.

Surprise hot plug:

The insertion of a SATA device into a backplane (combine signal and power) that has power present. The device powers up and initiates an OOB sequence.

Surprise hot removal:

The removal of a SATA device from a powered backplane, without first being placed in a quiescent state.

2.14 NAND Flash Memory

Innodisk CFast 3SE4 uses Single Level Cell (SLC) NAND flash memory, which is non-volatility, high reliability and high speed memory storage.

3. Theory of Operation

3.1 Overview

Figure 2 shows the operation of Innodisk CFast 3SE4 from the system level, including the major hardware blocks.

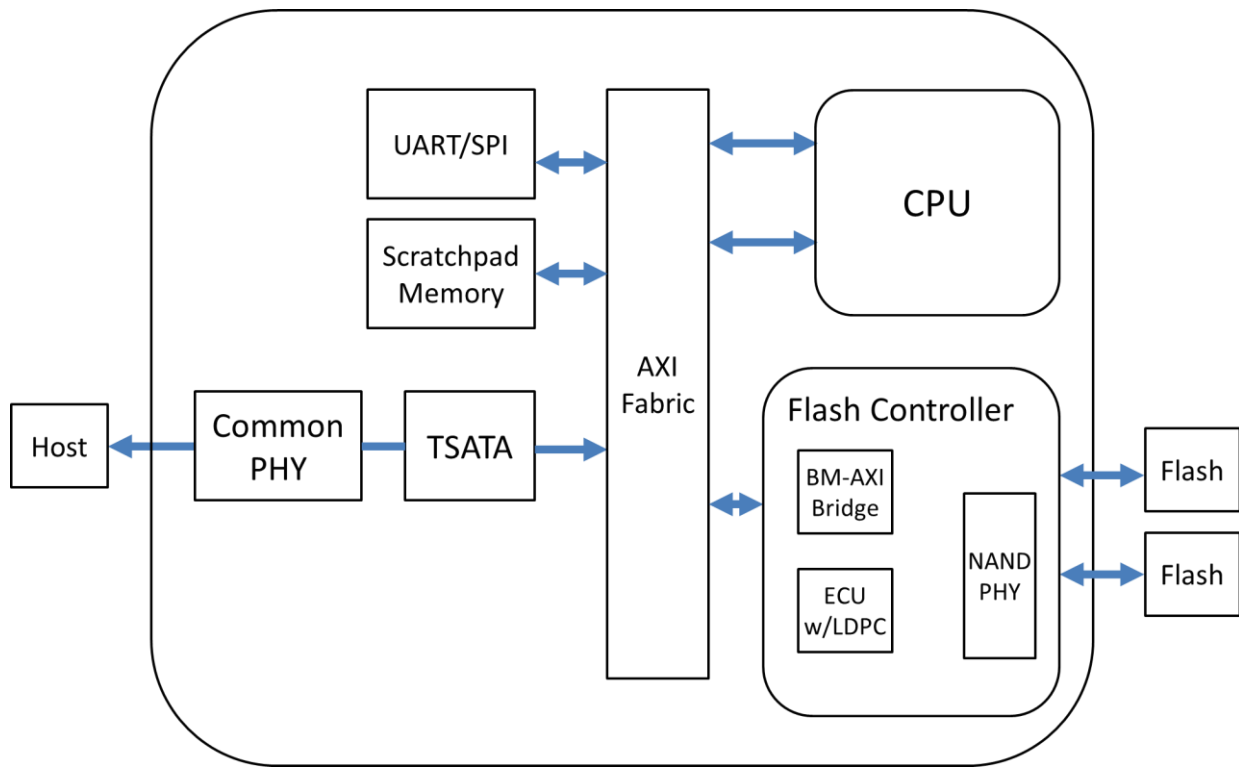


Figure 2: Innodisk CFast 3SE4 Block Diagram

Innodisk CFast 3SE4 integrates a SATA III controller and NAND flash memories. Communication with the host occurs through the host interface, using the standard ATA protocol. Communication with the flash device(s) occurs through the flash interface.

3.2 SATA III Controller

Innodisk CFast 3SE4 is designed with ID88NV1120, a SATA III 6.0Gbps (Gen. 3) controller. The Serial ATA physical, link and transport layers are compliant with Serial ATA Gen 1, Gen 2 and Gen 3 specification (Gen 3 supports 1.5Gbps/3.0Gbps/6.0Gbps data rate). The controller has 2 channels for flash interface.

3.3 Error Detection and Correction

Innodisk CFast 3SE4 is designed with hardware LDPC ECC engine with hard-decision and soft-decision decoding. Low-density parity-check (LDPC) codes have excellent error correcting performance close to the Shannon limit when decoded with the belief-propagation (BP) algorithm using soft-decision information.

3.4 Wear-Leveling

Flash memory can be erased within a limited number of times. This number is called the **erase cycle limit** or **write endurance limit** and is defined by the flash array vendor. The erase cycle limit applies to each individual erase block in the flash device.

Innodisk CFast 3SE4 uses a static wear-leveling algorithm to ensure that consecutive writes of a specific sector are not written physically to the same page/block in the flash. This spreads flash media usage evenly across all pages, thereby extending flash lifetime. Moreover, CFast 3SE4 supports idle wear-leveling that SSD will do static wear-leveling when it has been idled for a certain time.

3.5 Bad Blocks Management

Bad Blocks are blocks that contain one or more invalid bits whose reliability are not guaranteed. The Bad Blocks may be presented while the SSD is shipped, or may develop during the life time of the SSD. When the Bad Blocks is detected, it will be flagged, and not be used anymore. The SSD implement Bad Blocks management, Bad Blocks replacement, Error Correct Code to avoid data error occurred. The functions will be enabled automatically to transfer data from Bad Blocks to spare blocks, and correct error bit.

3.6 Power Cycling

Innodisk's power cycling management is a comprehensive data protection mechanism that functions before and after a sudden power outage to SSD. Low-power detection terminates data writing before an abnormal power-off, while table-remapping after power-on deletes corrupt data and maintains data integrity. Innodisk's power cycling provides effective power cycling management, preventing data stored in flash from degrading with use.

3.7 Garbage Collection

Garbage collection technology is used to maintain data consistency and perform continual data cleansing on SSDs. It runs as a background process, freeing up valuable controller resources while sorting good data into available blocks, and deleting bad blocks.

4. Installation Requirements

4.1 CFast 3SE4 Pin Directions

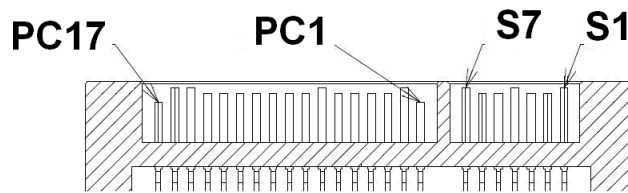


Figure 3: Signal Segment and Power Segment

4.2 Electrical Connections for CFast 3SE4

A Serial ATA device may be either directly connected to a host or connected to a host through a cable. For connection via cable, the cable should be no longer than 1 meter. The SATA interface has a separate connector for the power supply. Please refer to the pin description for further details.

4.3 Write Protection (Optional)



Innodisk CFast 3SE4 within the write-protect function could prevent the device from modification and deletion. Write-protected data could only be read, that is, users could not write to it, edit it, append data to it, or delete it. When users would like to make sure that neither themselves nor others could modify or destroy the file, users could switch on write-protection. Thus, Innodisk CFast 3SE4 could process write-protect mechanism and disable flash memory to be written-in any data. Only while the system power-off, users could switch on write-protection. Write-protection could not be switched-on, after OS booting.

4.4 Device Drive

No additional device drives are required. Innodisk CFast 3SE4 can be configured as a boot device.

5. SMART Feature Set

Innodisk 3SE4 series support the SMART command set and defines some vendor-specific data to report SMART attributes of SSD.

Table 10: SMART command

Value	Command	Value	Command
D0h	Read Data	D5h	Read Log
D1h	Read Attribute Threshold	D6h	Return Status
D2h	Enable/Disable Auto save	D8h	Enable SMART Operations
D3h	Save Attribute Values	D9h	Disable SMART Operations
D4h	Execute OFF-LINE Immediate	DAh	Return Status

5.1 SMART Attributes

Innodisk 3SE4 series SMART data attributes are listed in following table.

Table 11: SMART attribute

Attribute ID (hex)	Attribute Name
05	Later Bad
09	Power-On hours Count
0C	Drive Power Cycle Count
A3	Total Bad Block Count
A5	Max Erase count
A7	Avg Erase count
A9	Device Life
AA	Spare Block Count
AB	Program fail count
AC	Erase fail count
C0	Unexpected Power Loss Count
C2	Temperature
E5	Flash ID
EB	Later Bad Block
F1	Total LBAs written (each write unit = 32MB)
F2	Total LBAs read (each write unit = 32MB)

6. Part Number Rule

CODE	1	2	3	4	5	6	7	8	9	10	11	12	13	14	15	16	17	18	19	20	21
	D	E	C	F	A	-	3	2	G	M	4	1	S	C	A	D	B	X	X	X	X
Definition																					
Code 1st (Disk)											Code 13th (Flash Mode)										
D:Disk											S: Toshiba 24nm, Sync										
Code 2st (Feature set)											Code 14th (Operation Temperature)										
E:Embedded series											C: Standard Grade (0°C ~ +70°C)										
											W: Industrial Grade (-40°C ~ +85°C)										
Code 3rd ~ 5th (Form Factor)											Code 15th (Internal control)										
CFA: CFast											A~Z: BGA PCB version										
Code 7th ~9th (Capacity)											Code 16th (Channel of data transfer)										
08G: 08GB											D: Dual Channels										
16G: 16GB																					
32G: 32GB																					
64G: 64GB											Code 17th (Flash Type)										
											B: Toshiba SLC										
Code 10th ~12th (Controller)											Code 18th (Flash Type)										
M41: 88NV1120											W: H/W Write Protect function										
											Code 19th~21th (Customized Code)										

7. Appendix

CE/FCC/RoHS/REACH



VERIFICATION OF COMPLIANCE

This Verification of Compliance is hereby issued to the below named company. The test results of this report relate only to the tested sample identified in this report.

**Technical Standard: EMC DIRECTIVE 2014/30/EU
(EN55032)**

General Information
 Applicant: Innodisk Corporation
 5F., No. 237, Sec. 1, Datong Rd., Xizhi Dist.,
 New Taipei City 22161, Taiwan (R.O.C)

Product Description
 EUT Description: CFast
 Brand Name: Innodisk
 Model Number: CFast 35*#-&
 S:Flash type: (S:SLC, I:SLC, M:MLC, T:3D TLC)
 *:Product line: (E:Embedded, G:EverGreen, R:InnoRobust)
 #:Product Generation: (empty, 0-9)
 &:Product line: (empty, P:Plus)

Measurement Standard
 EN 55032: 2012 / AC: 2013
 CISPR 32: 2012

Measurement Facilities
 Xindian Lab.: Compliance Certification Services Inc.
 No.163-1, Zhongsheng Rd., Xindian Dist., New Taipei City, 23151 Taiwan.
 Tel: +886-2-22170894 / Fax: +886-2-22171029

This device has been shown to be in compliance with and was tested in accordance with the measurement procedures specified in the Standards & Specifications listed above and as indicated in the measurement report number: T161011D05 E


 Sam Hu / Assistant Manager
 Date: October 18, 2016



CCSRF
 程創科技股份有限公司
 Compliance Certification Services Inc.



VERIFICATION OF COMPLIANCE

This Verification of Compliance is hereby issued to the below named company. The test results of this report relate only to the tested sample identified in this report.

**Technical Standard: EMC DIRECTIVE 2014/30/EU
(EN55022 / EN55024)**

General Information

Applicant: Innodisk Corporation
5F., No. 237, Sec. 1, Datong Rd., Xizhi Dist.,
New Taipei City 22161, Taiwan (R.O.C)

Product Description

EUT Description: CFast
Brand Name: Innodisk
Model Number: CFast 3\$*#-&
\$:Flash type: (S:SLC, 1:iSLC, M:MLC, T:3D TLC)
*:Product line: (E:Embedded, G:EverGreen, R:InnoRobust)
#:Product Generation: (empty, 0-9)
&:Product line: (empty, P:Plus)

Measurement Standard

EN 55022: 2010 / AC: 2011
EN 61000-3-2: 2014
EN 61000-3-3: 2013
EN 55024: 2010 + A1: 2015
(IEC 61000-4-2: 2008; IEC 61000-4-3: 2006 + A1: 2007 + A2: 2010; IEC 61000-4-4: 2012;
IEC 61000-4-5: 2014; IEC 61000-4-6: 2013; IEC 61000-4-8: 2009; IEC 61000-4-11: 2004)

Measurement Facilities

Xindian Lab.: Compliance Certification Services Inc.
No.163-1, Zhongsheng Rd., Xindian Dist., New Taipei City, 23151 Taiwan.
Tel: +886-2-22170894 / Fax: +886-2-22171029

This device has been shown to be in compliance with and was tested in accordance with the measurement procedures specified in the Standards & Specifications listed above and as indicated in the measurement report number: T161014D05-E


Sam Hu / Assistant Manager
Date: October 18, 2016





VERIFICATION OF COMPLIANCE

This Verification of Compliance is hereby issued to the below named company. The test results of this report relate only to the tested sample identified in this report.

**Technical Standard: FCC Part 15 Class B
IC ICES-003**

General Information

Applicant: Innodisk Corporation
5F., No. 237, Sec. 1, Datong Rd., Xizhi Dist.,
New Taipei City 22161, Taiwan (R.O.C)

Product Description

EUT Description: CFast
Brand Name: Innodisk
Model Number: CFast 35*8-&
\$:Flash type: (S:SLC, I:iSLC, M:MLC, T:3D TLC)
*:Product line: (E:Embedded, G:EverGreen, R:InnoRobust)
#:Product Generation: (empty, 0-9)
&:Product line: (empty, P:Plus)

Measurement Facilities

Xindian Lab.: Compliance Certification Services Inc.
No.163-1, Zhongsheng Rd., Xindian Dist., New Taipei City, 23151 Taiwan.
Tel: +886-2-22170894 / Fax: +886-2-22171029

This device has been shown to be in compliance with and was tested in accordance with the measurement procedures specified in the Standards & Specifications listed above and as indicated in the measurement report number: T161014D05-D


Sam Hu / Assistant Manager
Date: October 18, 2016



宜鼎國際股份有限公司

Innodisk Corporation

Tel:(02)7703-3000 Fax:(02) 7703-3555 Internet: <http://www.innodisk.com/>

RoHS 自我宣告書 (RoHS Declaration of Conformity)

Manufacturer Product: All Innodisk EP products

- 一、宜鼎國際股份有限公司（以下稱本公司）特此保證售予貴公司之所有產品，皆符合歐盟 2011/65/EU 及 (EU) 2015/863 關於 RoHS 之規範要求。

Innodisk Corporation declares that all products sold to the company, are complied with European Union RoHS Directive (2011/65/EU) and (EU) 2015/863 requirement.

- 二、本公司同意因本保證書或與本保證書相關事宜有所爭議時，雙方宜友好協商，達成協議。

Innodisk Corporation agrees that both parties shall settle any dispute arising from or in connection with this Declaration of Conformity by friendly negotiations.

Name of hazardous substance	Limited of RoHS ppm (mg/kg)
鉛 (Pb)	< 1000 ppm
汞 (Hg)	< 1000 ppm
鎘 (Cd)	< 100 ppm
六價鉻 (Cr 6+)	< 1000 ppm
多溴聯苯 (PBBs)	< 1000 ppm
多溴二苯醚 (PBDEs)	< 1000 ppm
鄰苯二甲酸二(2-乙基己基)酯 (DEHP)	< 1000 ppm
鄰苯二甲酸丁酯苯甲酯 (BBP)	< 1000 ppm
鄰苯二甲酸二丁酯 (DBP)	< 1000 ppm
鄰苯二甲酸二異丁酯 (DIBP)	< 1000 ppm

立保證書人 (Guarantor)

Company name 公司名稱： Innodisk Corporation 宜鼎國際股份有限公司

Company Representative 公司代表人： Randy Chien 簡川勝

Company Representative Title 公司代表人職稱： Chairman 董事長

Date 日期： 2018 / 07 / 01



宜鼎國際股份有限公司 Innodisk Corporation

Tel:(02)7703-3000 Fax:(02) 7703-3555 Internet: <http://www.innodisk.com/>

REACH Declaration of Conformity

Manufacturer Product: All Innodisk EM Flash and Dram products

1.宜鼎國際股份有限公司（以下稱本公司）特此保證此售予貴公司之產品，皆符合歐盟化學品法案(Registration , Evaluation and Authorization of Chemicals ; REACH)之規定
(<http://www.echa.europa.eu/de/candidate-list-table> last updated: 15/01/2018)。所提供之產品包含：(1) 產品或產品所使用到的所有原物料；(2)包裝材料；(3)設計、生產及重工過程中所使用到的所有原物料。

We Innodisk Corporation hereby declare that our products are in compliance with the requirements according to the REACH Regulation

(<http://www.echa.europa.eu/de/candidate-list-table> last updated: 15/01/2018).

Products include : 1) Product and raw material used by the product ; 2) Packaging material ; 3) Raw material used in the process of design, production and rework

2.本公司同意因本保證書或與本保證書相關事宜有所爭議時，雙方宜友好協商，達成協議。

InnoDisk Corporation agrees that both parties shall settle any dispute arising from or in connection with this Declaration of Conformity by friendly negotiations.

立 保 證 書 人 (Guarantor)

Company name 公司名稱： InnoDisk Corporation 宜鼎國際股份有限公司

Company Representative 公司代表人： Randy Chien 簡川勝

Company Representative Title 公司代表人職稱： Chairman 董事長

Date 日期： 2018 / 02 / 08

